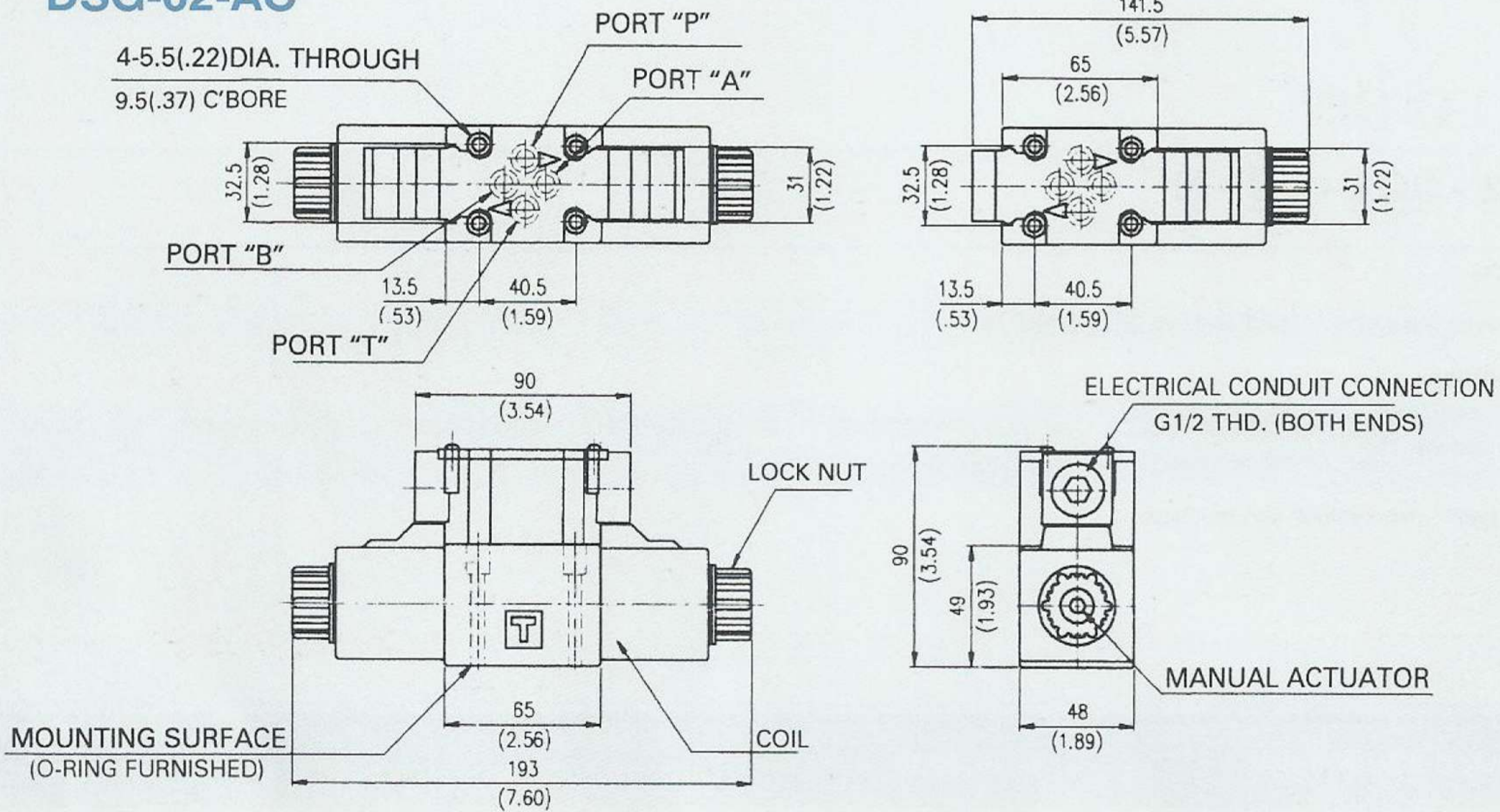


# SOLENOID OPERATED DIRECTIONAL VALVE

## Dimensions

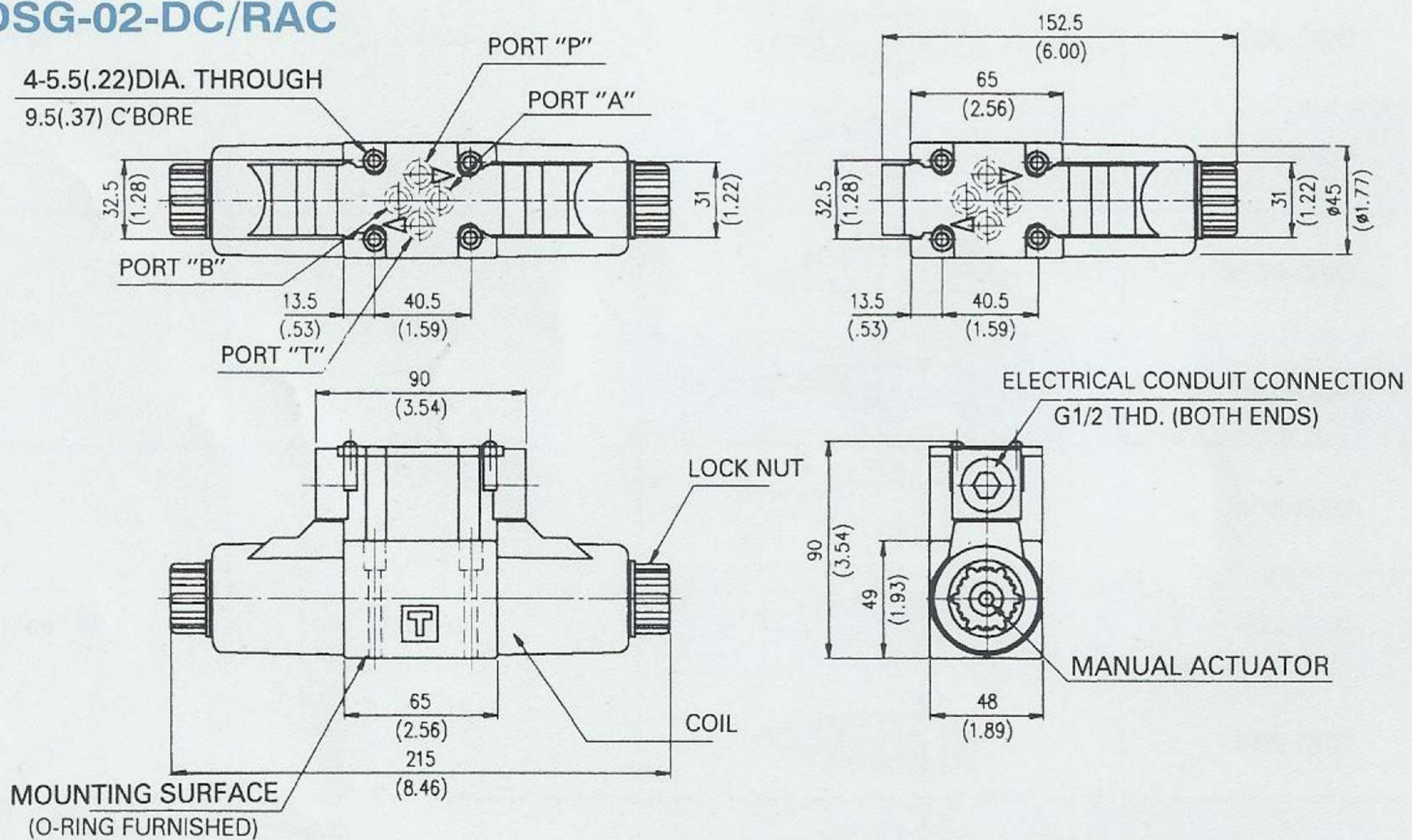
### DSG-02-AC

Unit: mm  
(inch)



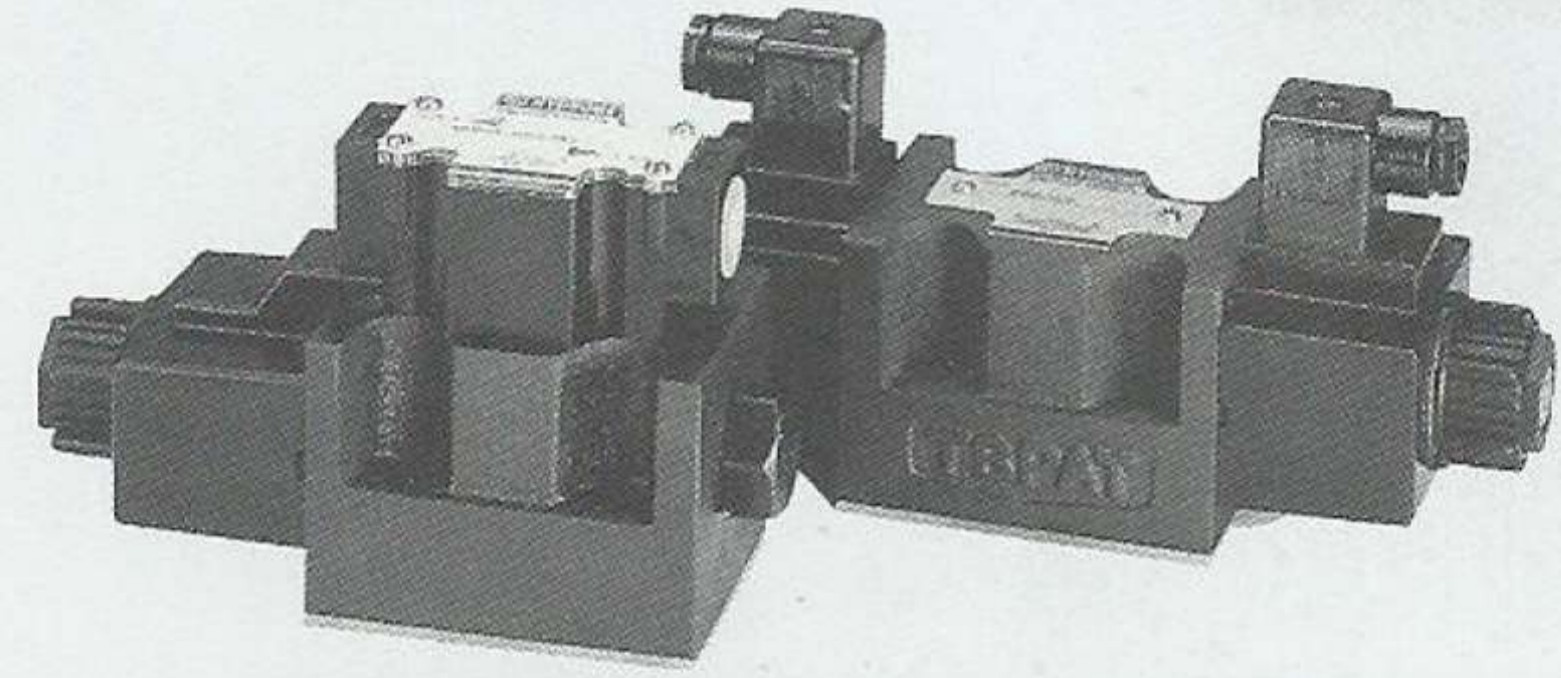
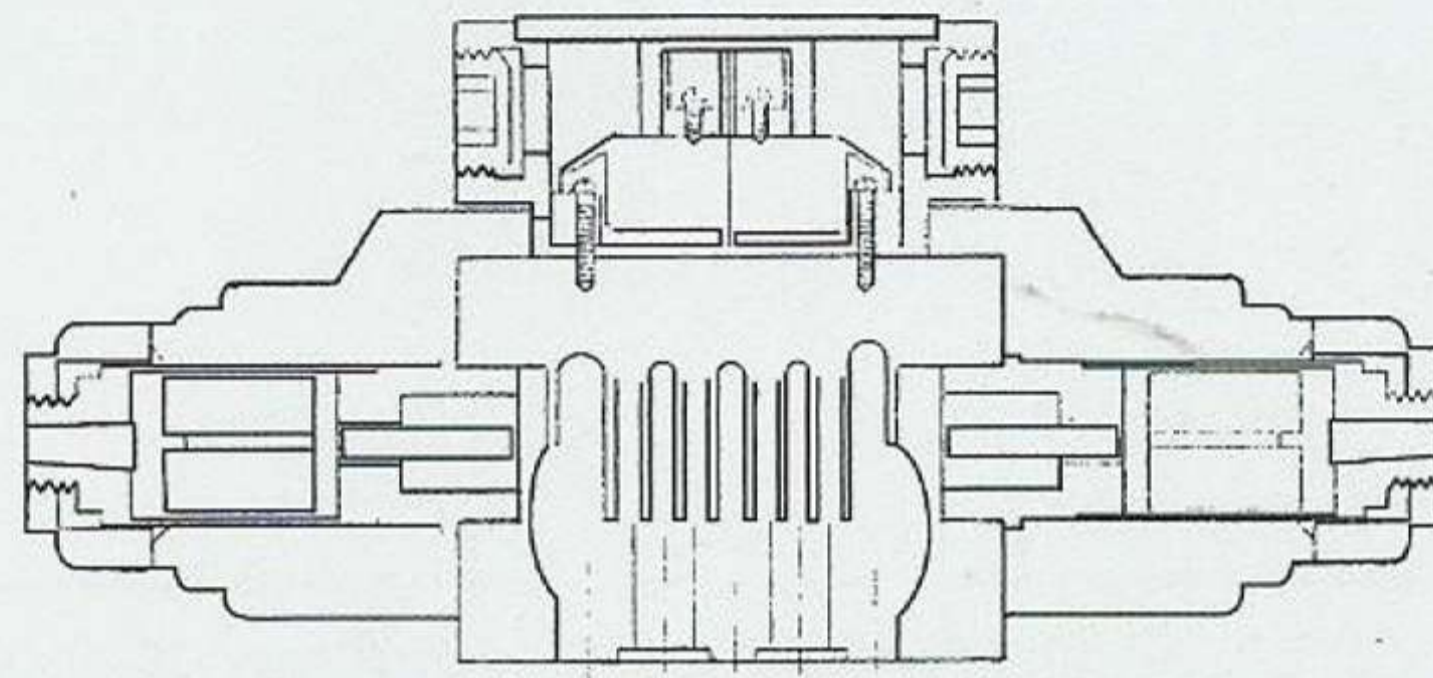
Parts name	Description	Tightening torque
Attachment SOC. HD. cap screw	M5 x 45Lg x 4pcs	5~7Nm
Attachment SOC. HD. cap screw	10-24UNC x 1-3/4"Lg x 4pcs	43~60in. lbs

### DSG-02-DC/RAC



Parts name	Description	Tightening torque
Attachment SOC. HD. cap screw	M5 x 45Lg x 4pcs	5~7Nm
Attachment SOC. HD. cap screw	10-24UNC x 1-3/4"Lg x 4pcs	43~60in. lbs

# SOLENOID OPERATED DIRECTIONAL VALVE



## How to order

**DSG - 03 - 3C2 - A2 - N**

1	Model
2	Nominal valve size 3/8"(Cetop: 5, ISO:05, NG: 10)
3	Spool type
4	Coil voltage A11: AC110V(50/60HZ) A22: AC220V(50/60HZ) A24: AC240V/50HZ A38: AC380V/50HZ D1: DC12V D2: DC24V R1: R110V(50/60HZ) R2: R220V(50/60HZ)
5	Din type No symbol: joint box type

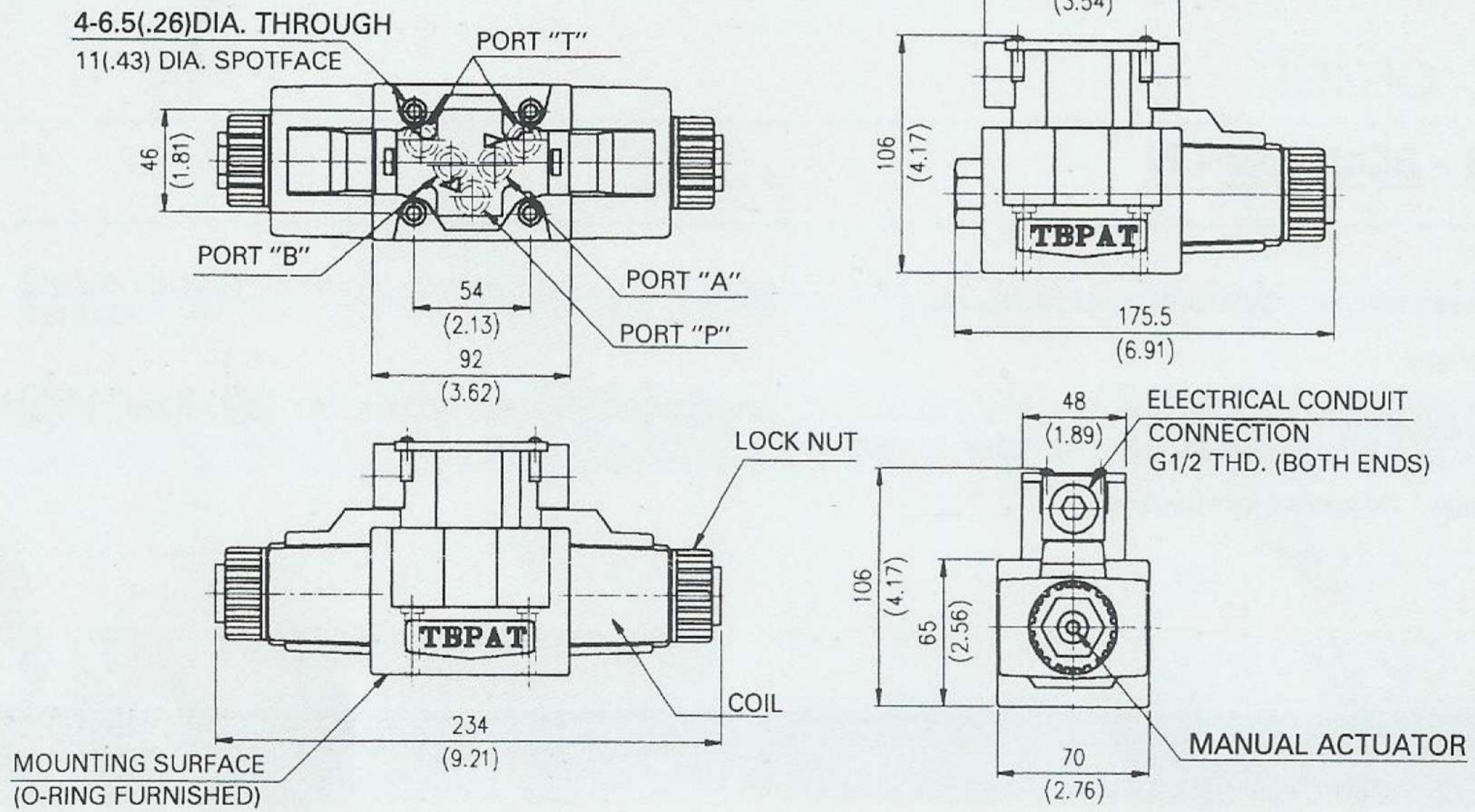
ITEM	Model Numbers	Spool Type	Rated Flow lpm (gpm)			Max. Flow lpm (gpm)		
			AC / DC / R					
1	DSG-3C2		70 (18.5)			120 (31.7)		
2	DSG-3C4							
3	DSG-3C5							
4	DSG-3C10							
5	DSG-3C60		50 (13.2)			80 (21.1)		
6	DSG-3C3							
7	DSG-2D2							
8	DSG-2D3							
9	DSG-2B3		70 (18.5)			120 (31.7)		
10	DSG-2B2							
11	DSG-2B8							

# SOLENOID OPERATED DIRECTIONAL VALVE

## Dimensions

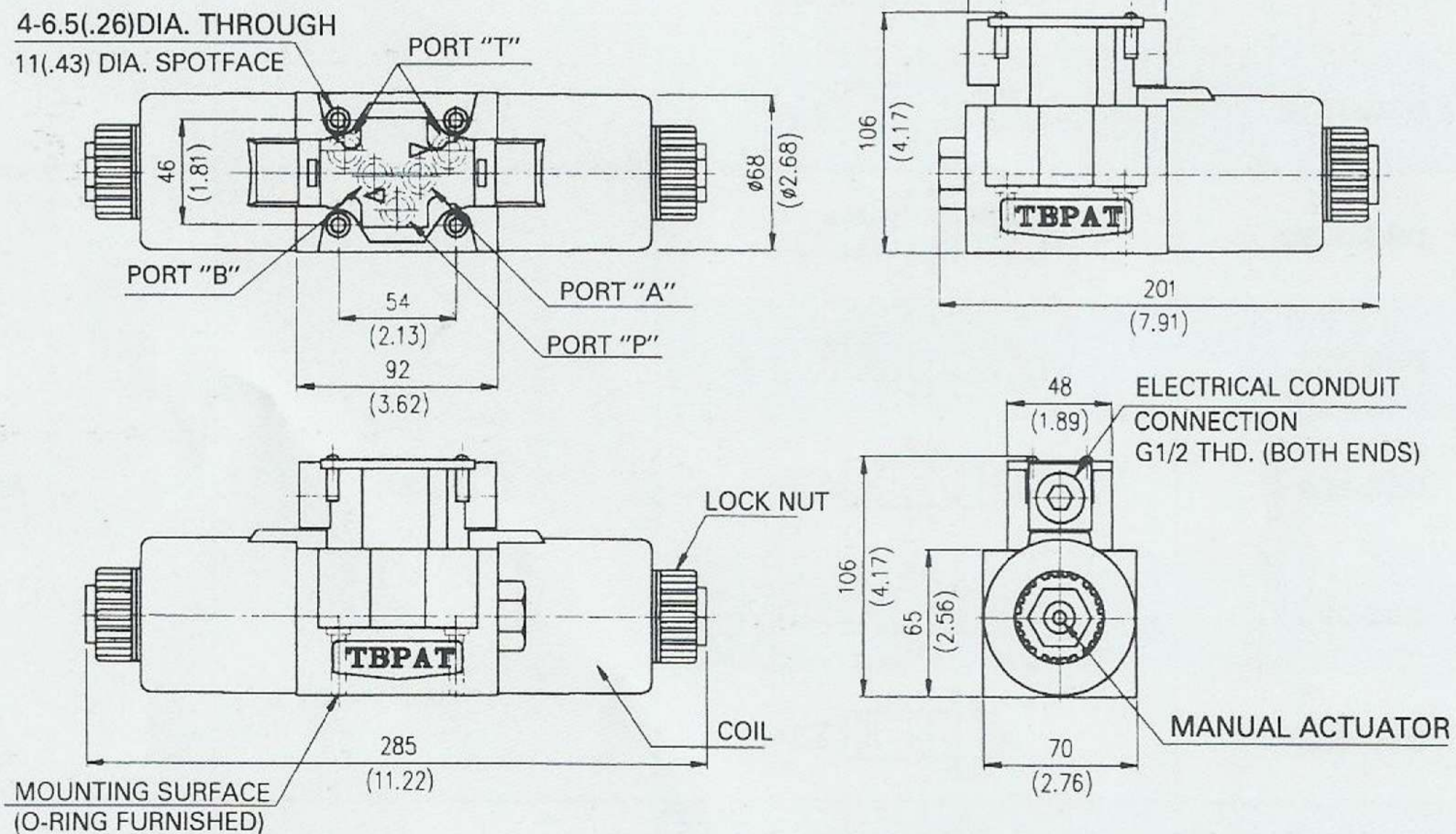
### DSG-03-AC

Unit: mm  
(inch)



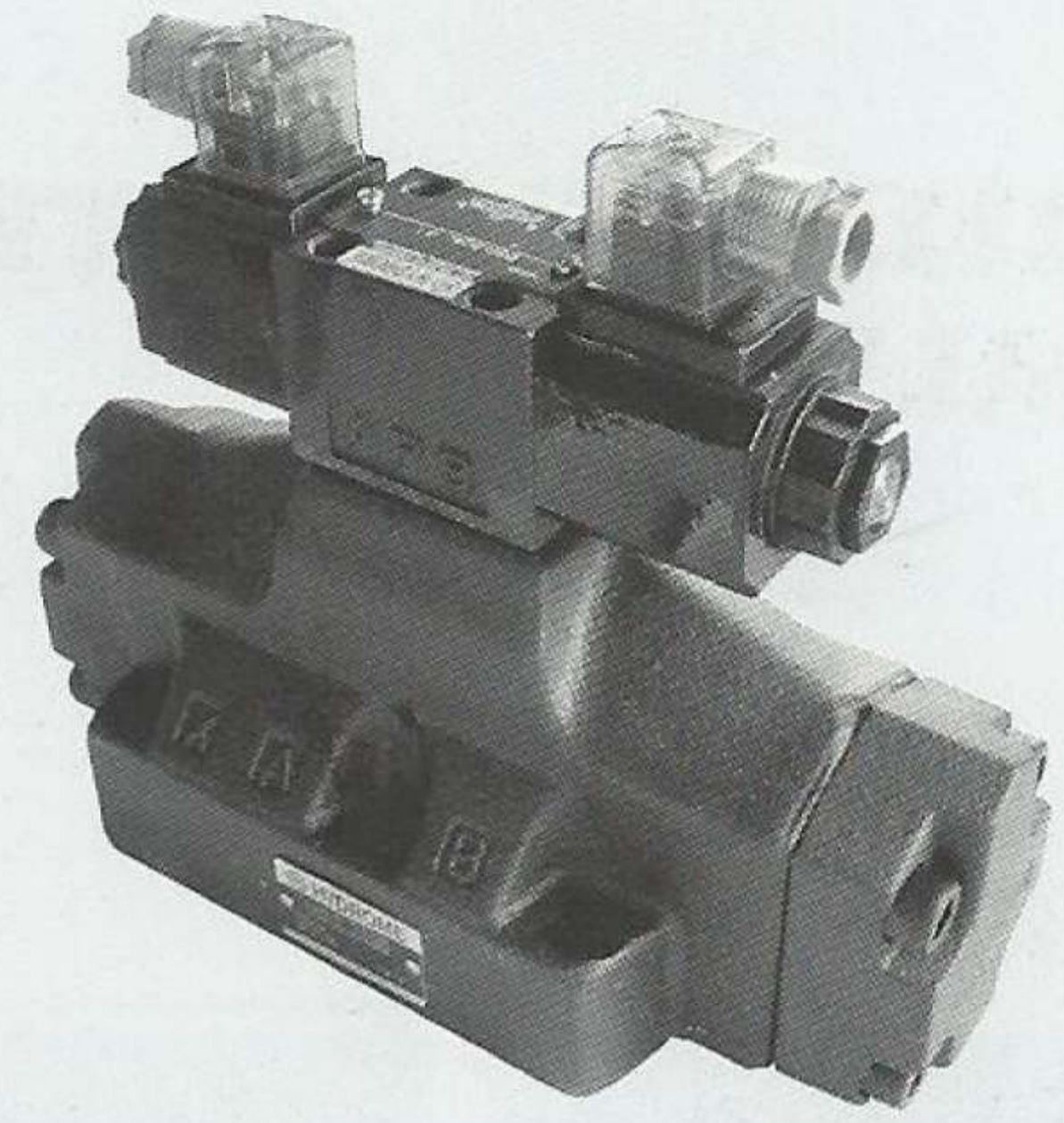
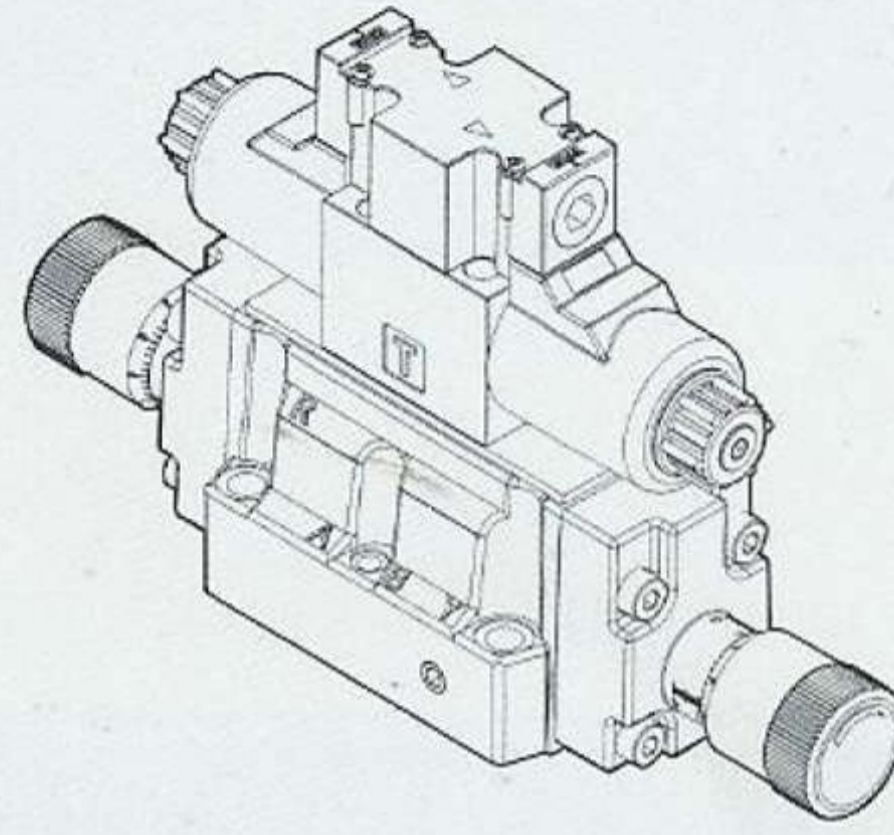
Parts name	Description	Tightening torque
Attachment SOC. HD. cap screw	M6 x 35Lg x 4pcs	12~15Nm
Attachment SOC. HD. cap screw	1/4-20UNC x 1-1/2"Lg x 4pcs	105~130in. lbs

### DSG-03-DC/RAC



Parts name	Description	Tightening torque
Attachment SOC. HD. cap screw	M6 x 35Lg x 4pcs	12~15Nm
Attachment SOC. HD. cap screw	1/4-20UNC x 1-1/2"Lg x 4pcs	105~130in. lbs

# PILOT OPERATED DIRECTIONAL VALVE



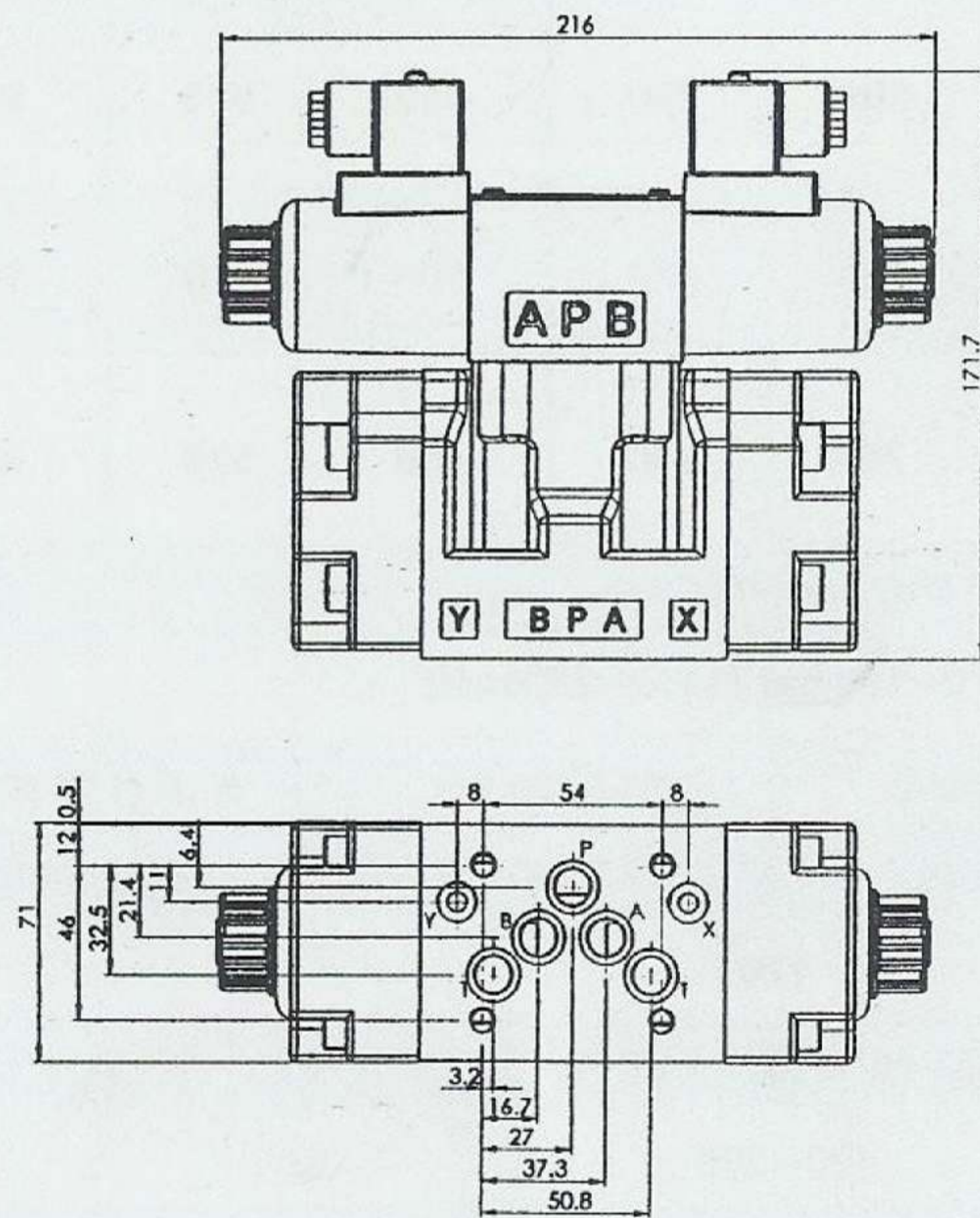
## How to order

### DSHG - 06 - 3C2 - AB - E - T - A1

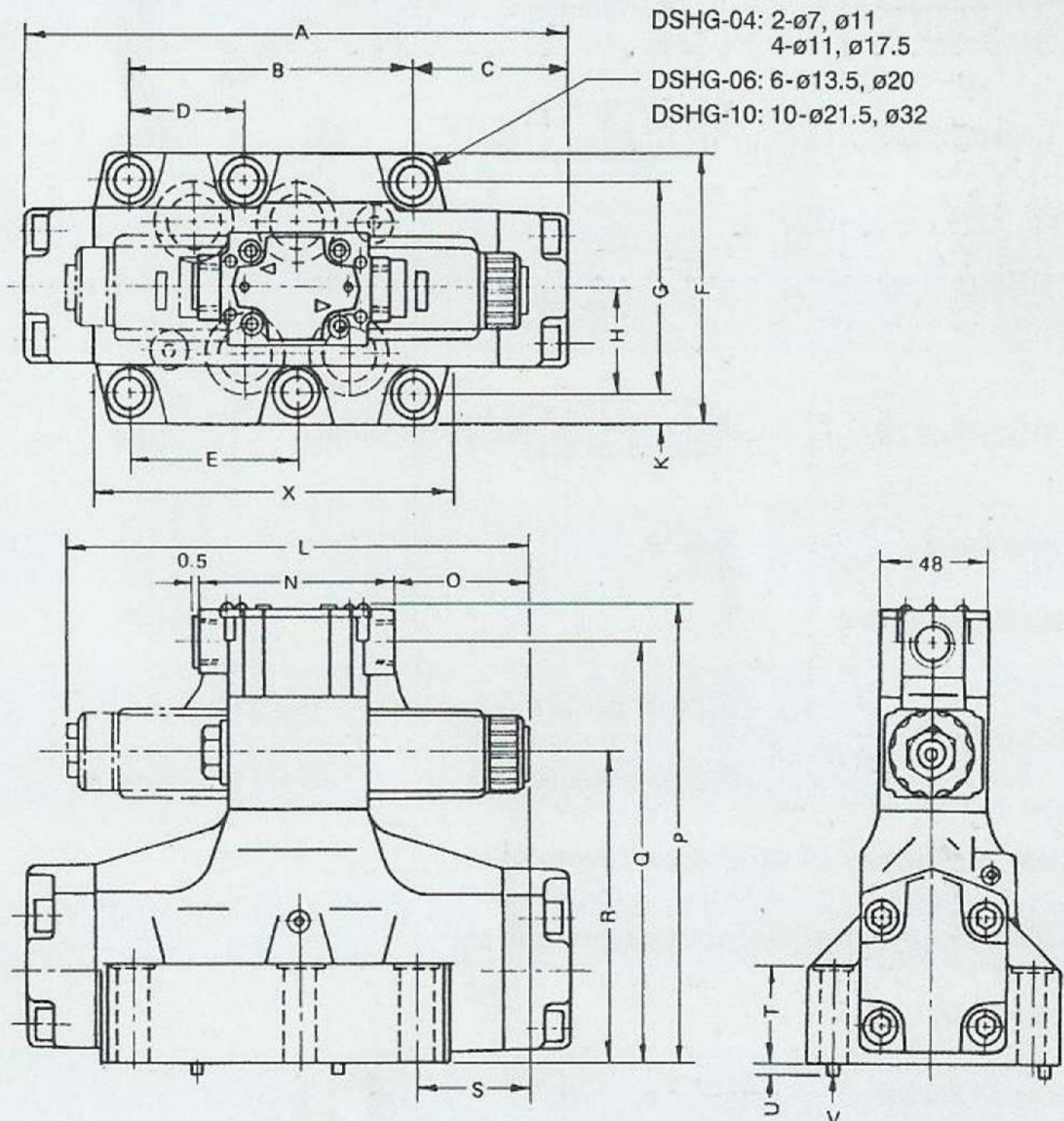
	1	2	3	4	5	6	7
1	Model						
2	Nominal valve size	03: 3/8"(Cetop:5, ISO:05, NG:10)	04: 1/2"(Cetop:7, ISO:07, NG:16)	06: 3/4"(Cetop:8, ISO:08, NG:25)	10: 1-1/4"(Cetop:10, ISO:10, NG:32)		
3	Spool type						
4	AB: With stroke adjusting both ends	A: With stroke adjusting port A	B: With stroke adjusting port B				
5	E: External pilot	Omit: Internal pilot					
6	T: Internal drain	Omit: External drain					
7	Voltage	A11: AC110V(50/60HZ)	A22: AC220V(50/60HZ)	A24: AC240V/50HZ	A38: AC380V/50HZ	D1: DC12V	D2: DC24V
		R1: R110V(50/60HZ)	R2: R220V(50/60HZ)				

## Dimensions

### DSHG-03



### DSHG-04, 06, 10

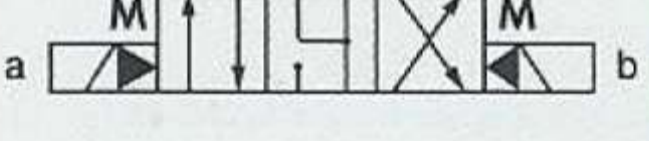
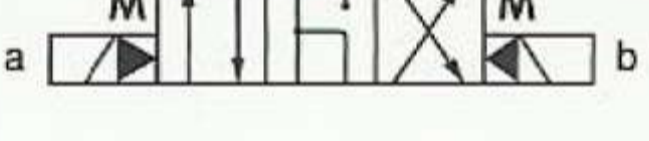
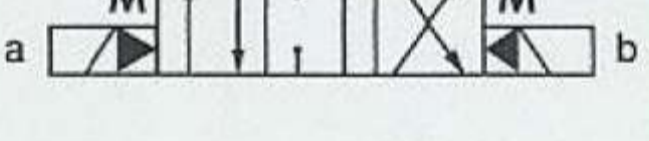
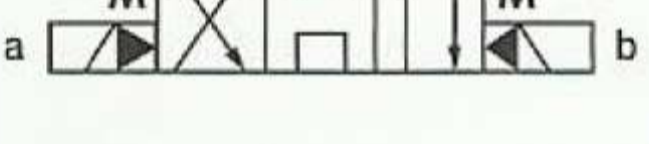
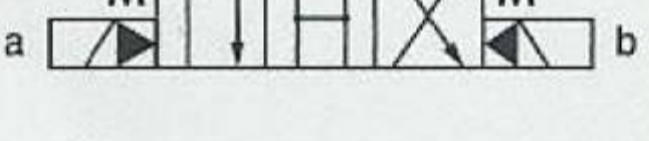
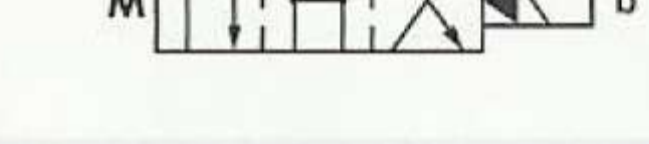
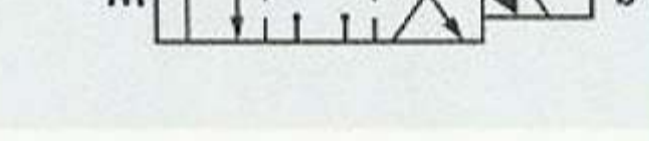


Unit: mm

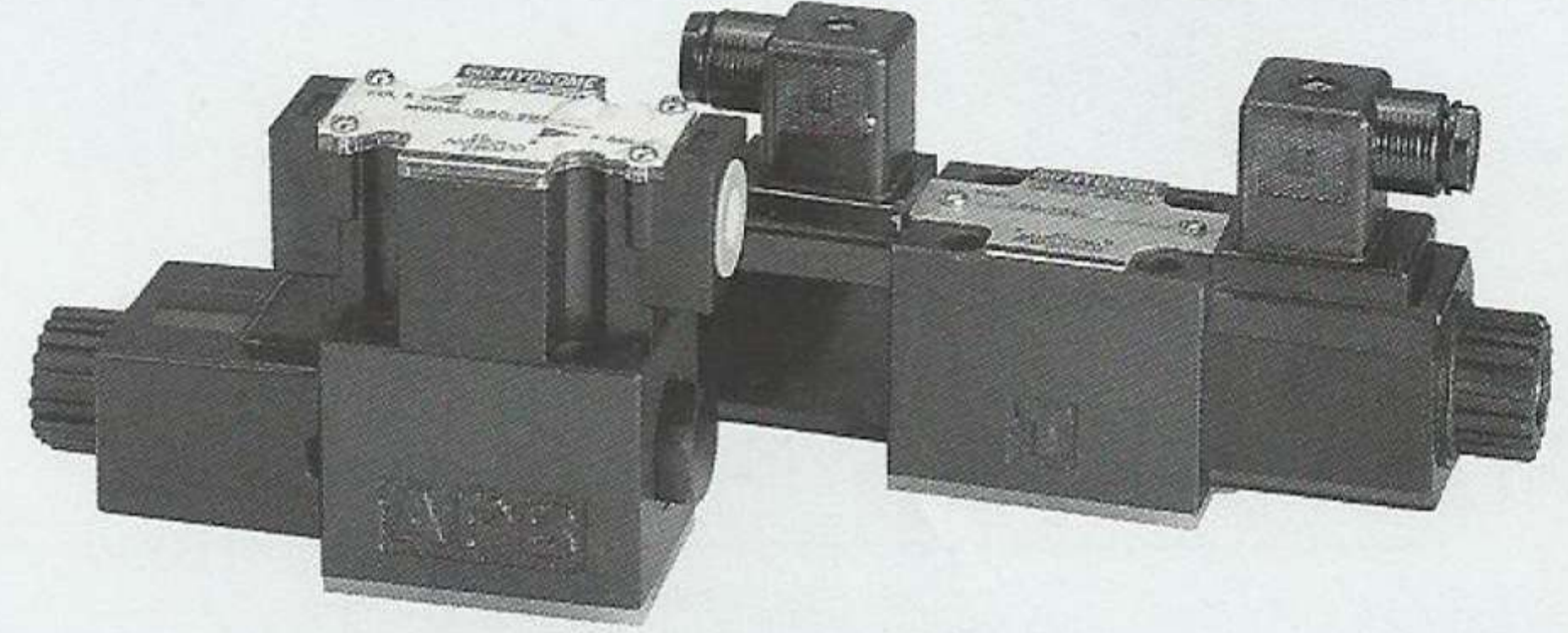
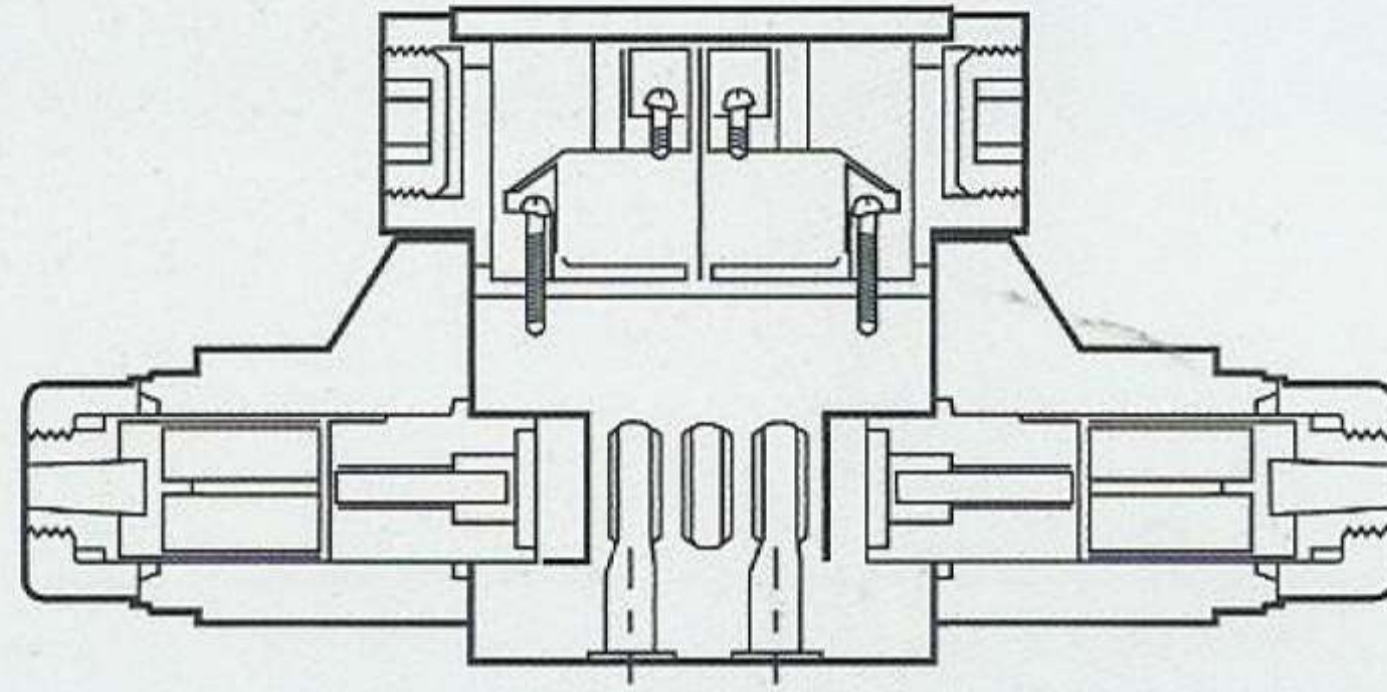
Model	A	B	C	D	E	F	G	H	K	L	N	O	P	Q	R	S	T	U	V	X
DSHG-04	204	101.6	50.4	34	50	91	69.8	-	9	215	90	60	180.3	163	116	53.4	35	4	2-ø3	-
DSHG-06	255	130.2	74.3	53.2	77	118	92.1	46.1	13	215	90	60	201.5	184	137	51.3	41	6	2-ø6	156
DSHG-10	384	190.5	116	76.2	114.3	198	158.8	79.4	19.6	215	90	60	264.5	247	200	28.5	45	6	2-ø6	233.8

# PILOT OPERATED DIRECTIONAL VALVE

## Specifications

Model Numbers			DSHG-03		DSHG-04		DSHG-06		DSHG-10	
ITEM	Model Numbers	Spool Type	Rated Flow lpm	Max. Flow lpm	Rated Flow lpm	Max. Flow lpm	Rated Flow lpm	Max. Flow lpm	Rated Flow lpm	Max. Flow lpm
1	DSHG-3C2		90	160	135	300	310	500	570	1100
2	DSHG-3C4		90	160	135	300	310	500	570	1100
3	DSHG-3C5		90	160	245	280	230	450	570	950
4	DSHG-3C10		90	160	135	300	310	500	570	1100
5	DSHG-3C6		90	160	245	280	230	450	570	950
6	DSHG-3C3		90	160	135	300	230	450	570	950
7	DSHG-2D2		90	160	135	300	310	500	570	1100
8	DSHG-2D3		90	160	135	300	310	500	570	1100
9	DSHG-2B3		90	160	245	280	230	450	570	950
10	DSHG-2B2		90	160	245	280	230	450	570	950
11	DSHG-3C9		90	160	245	280	230	450	570	950
Max. pressure		P.A.B.	315 bar (4600psi)							
Max. back pressure		T	70~160 bar (1400~2300psi)							
Weight kg (lb)		Single solenoid	6.4 (14.08)		7.6 (16.72)		13.3 (29.26)		51.6 (113.52)	
		Double solenoid	6.9 (15.18)		8 (17.6)		13.7 (30.14)		52 (114.40)	
Maximum frequency of operation (cycle/min)			120							
Ambient temperature range recommended			5~60°C (67~166°F)							
Using oil (cst)			20~300							
Filtration (micron)			25							

# SOLENOID OPERATED DIRECTIONAL VALVE



## How to order

**DSG - 02 - 3C2 - A2 - N**

1	Model
2	Nominal valve size 1/4"(Cetop: 3, ISO:03, NG: 6)
3	Spool type
4	Coil voltage A11: AC110V(50/60HZ) A22: AC220V(50/60HZ) A24: AC240V/50HZ A38: AC380V/50HZ D1: DC12V D2: DC24V R1: R110V(50/60HZ) R2: R220V(50/60HZ)
5	Din type No symbol: join box type

ITEM	Model Numbers	Spool Type	Rated Flow lpm (gpm)			Max. Flow lpm (gpm)
			AC / DC / R			
1	DSG-3C2		50 (13.2)			70 (18.5)
2	DSG-3C4					
3	DSG-3C5		30 (7.9)			70 (18.5)
4	DSG-3C10					
5	DSG-3C60		30 (7.9)			50 (13.2)
6	DSG-3C3					
7	DSG-2D2					
8	DSG-2D3		40 (10.6)			50 (13.2)
9	DSG-2B3					
10	DSG-2B2		40 (10.6)			70 (18.5)
11	DSG-2B8					